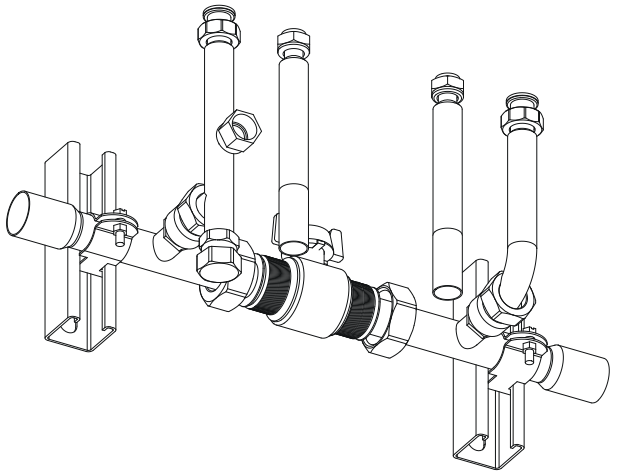


3319703

**LOW LOSS
HEADER KIT
KIT COLLECTEUR
À FAIBLE PERTE
STEP1**

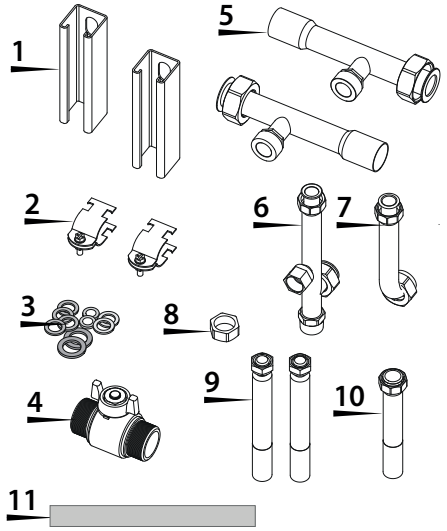


**For Qualified Technician
Installation Instructions**

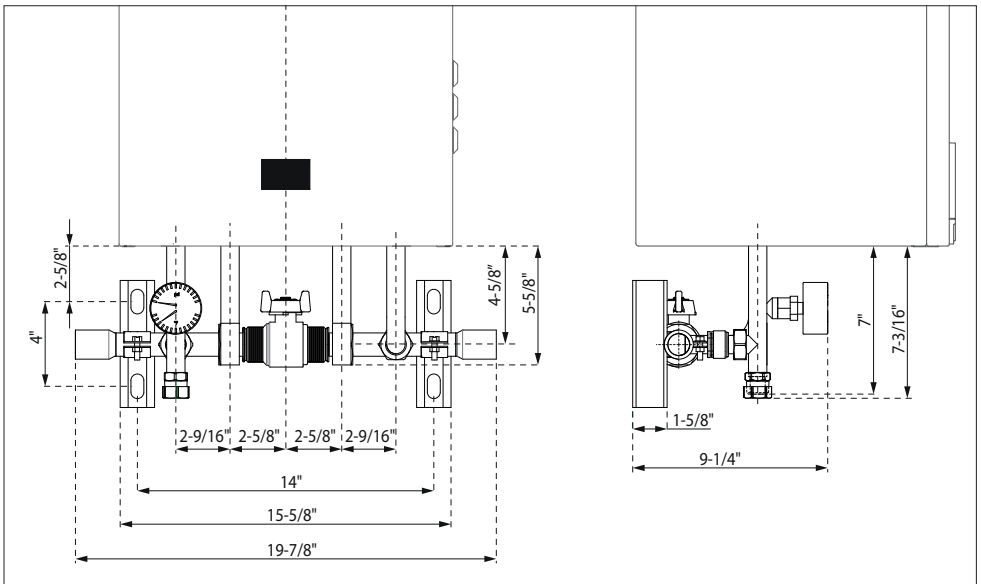
***Pour technicien qualifié
instructions d'installation***

Components / Composants

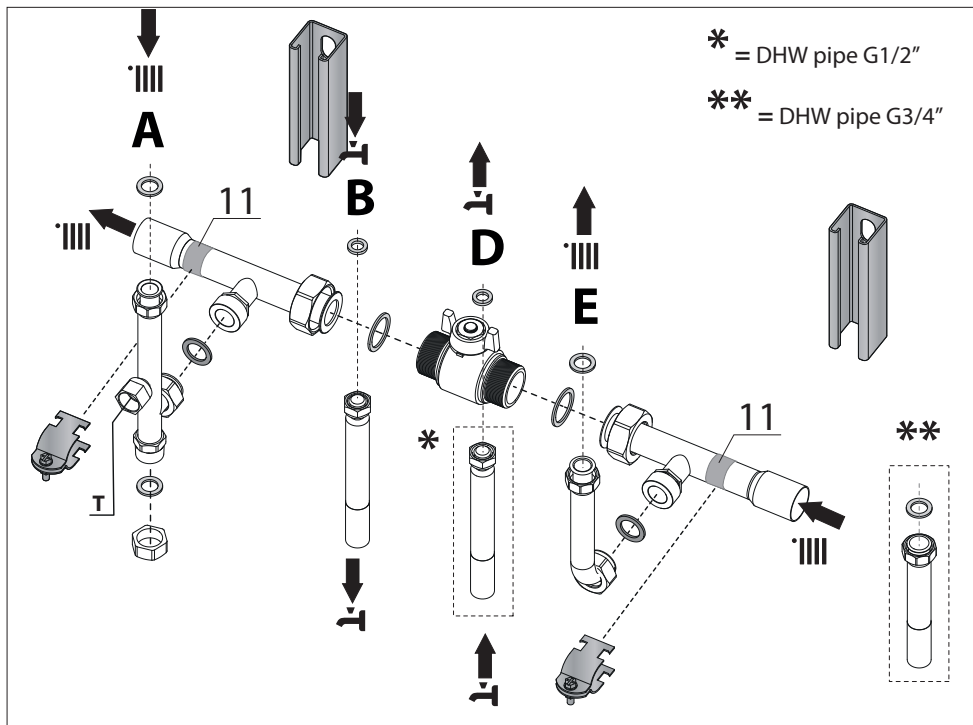
Nr.	Quantity Quantité	Description Description
1	1+1	Piping Bracket
2	1+1	Clamp (2x1")
3	10	Gasket (2x1-1/4" + 2x 1" + 4x3/4" + 2x 1/2")
4	1	Isolation valve 1-1/4"
5	2	Manifold pipe
6	1	Supply pipe 3/4"
7	1	Return pipe 3/4"
8	1	Cap G3/4"
9	2	DHW pipe G1/2"
10	1	DHW pipe G3/4"
11	1	Adhesive rubber strip



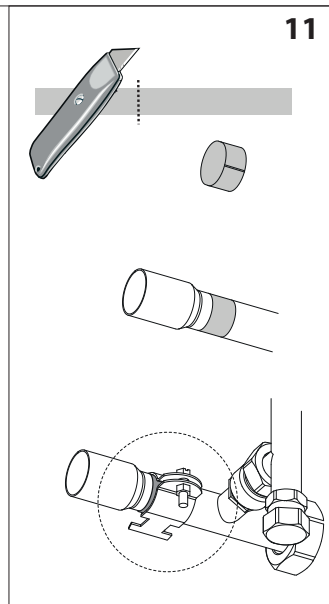
Dimensions / Dimensions

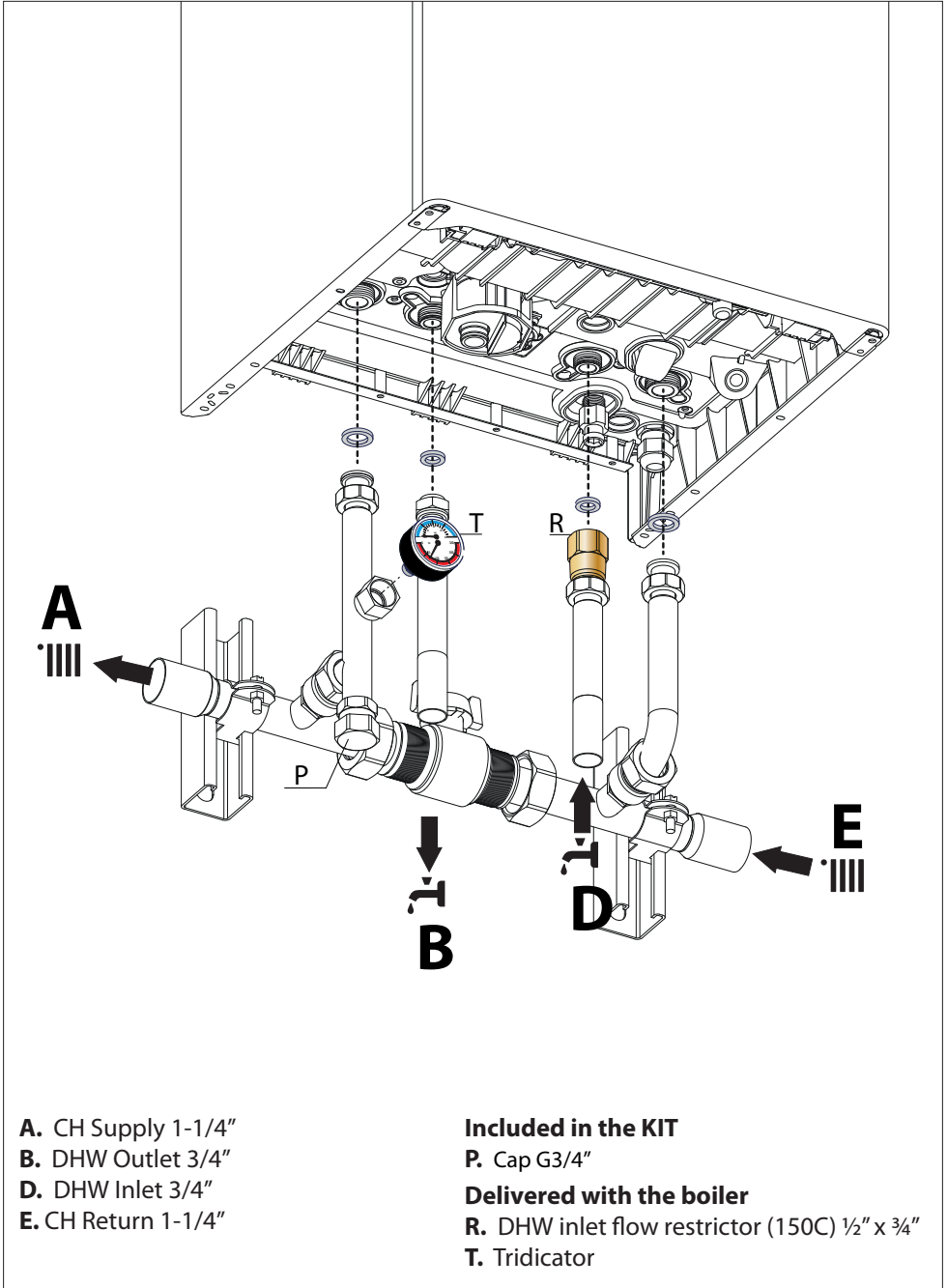


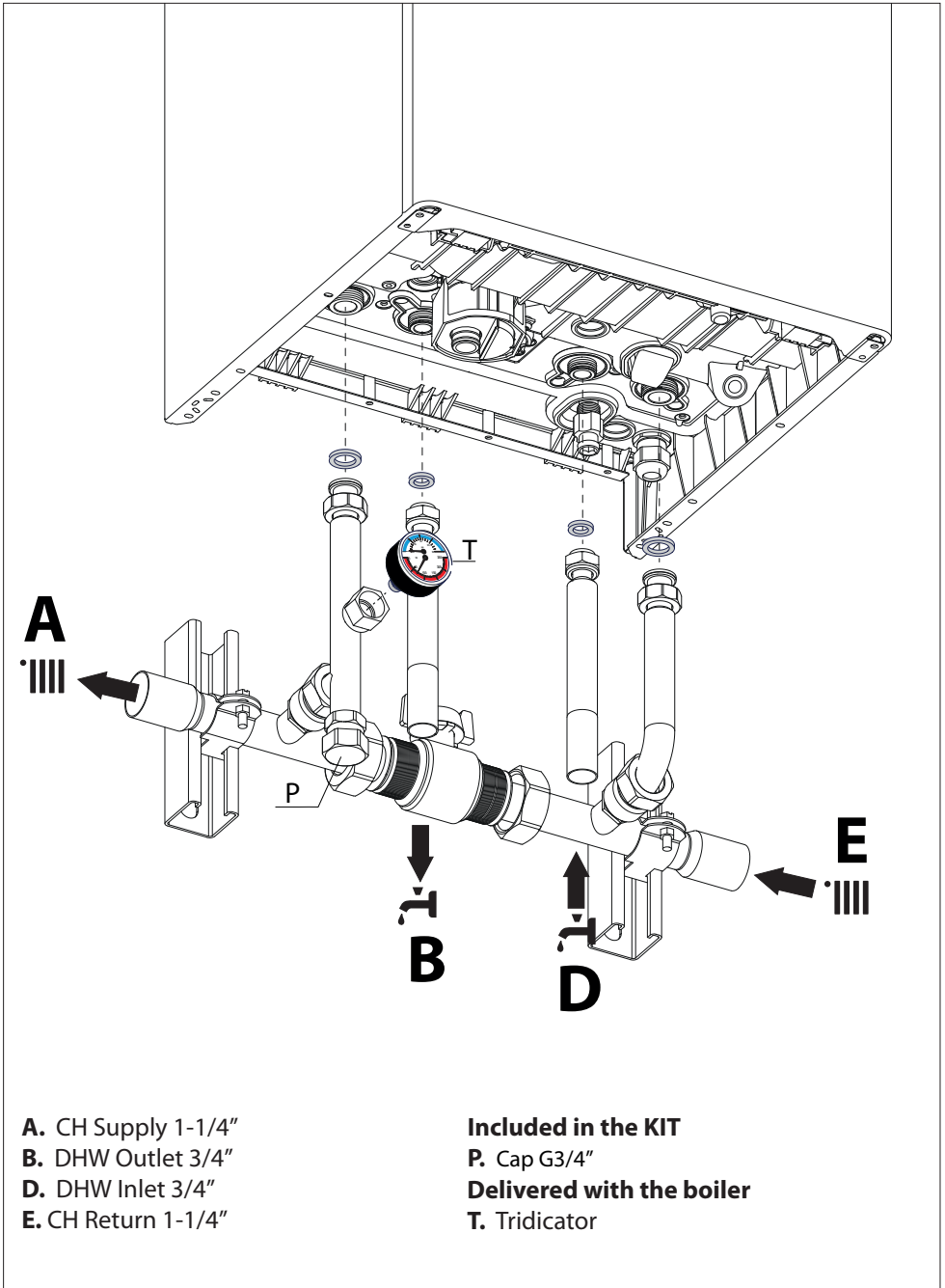
Exploded view / Vue éclatée



T = Connection Tridicator (delivered with the boiler)
 Raccordement Tridicator (livré avec la chaudière)

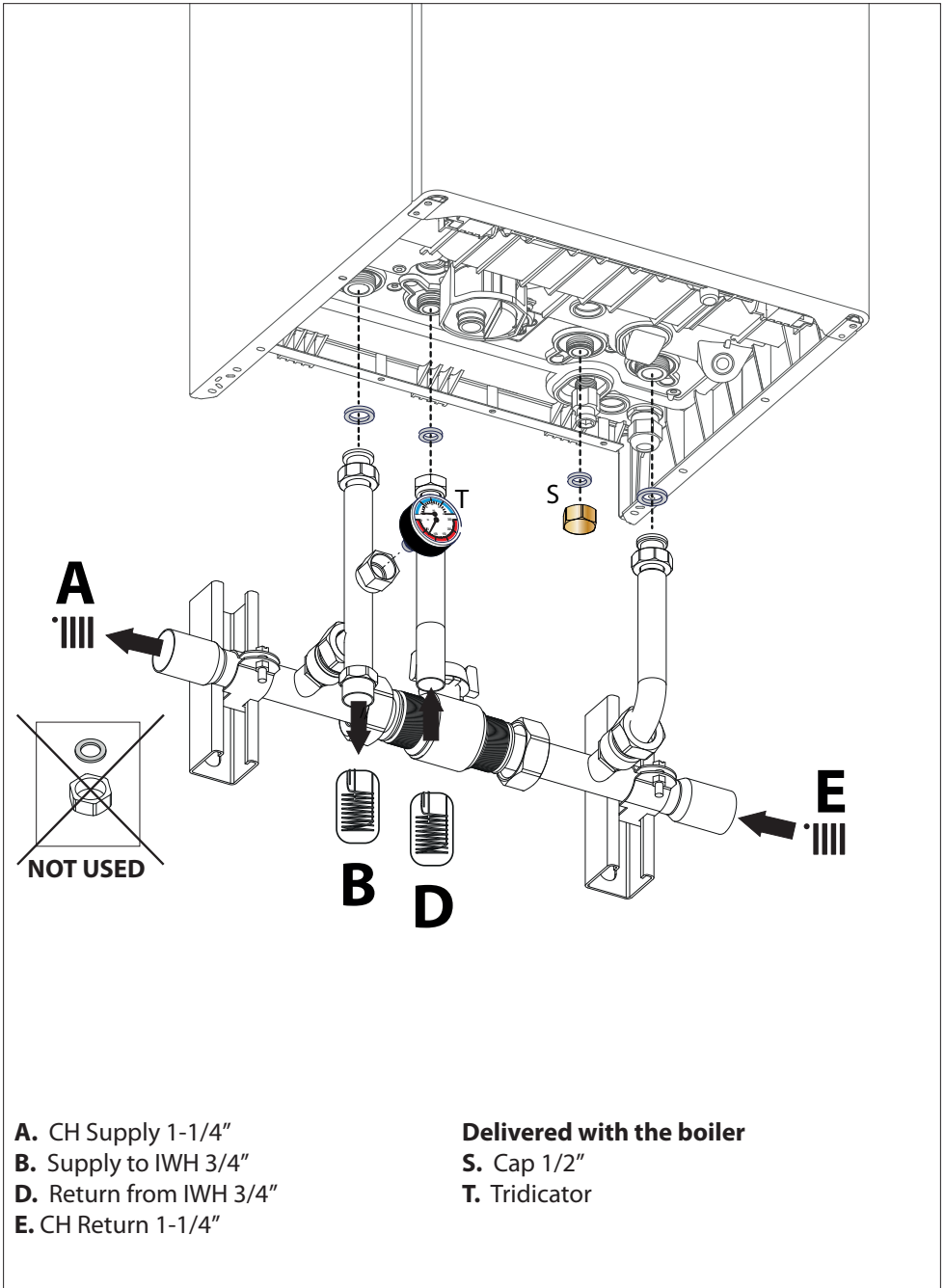


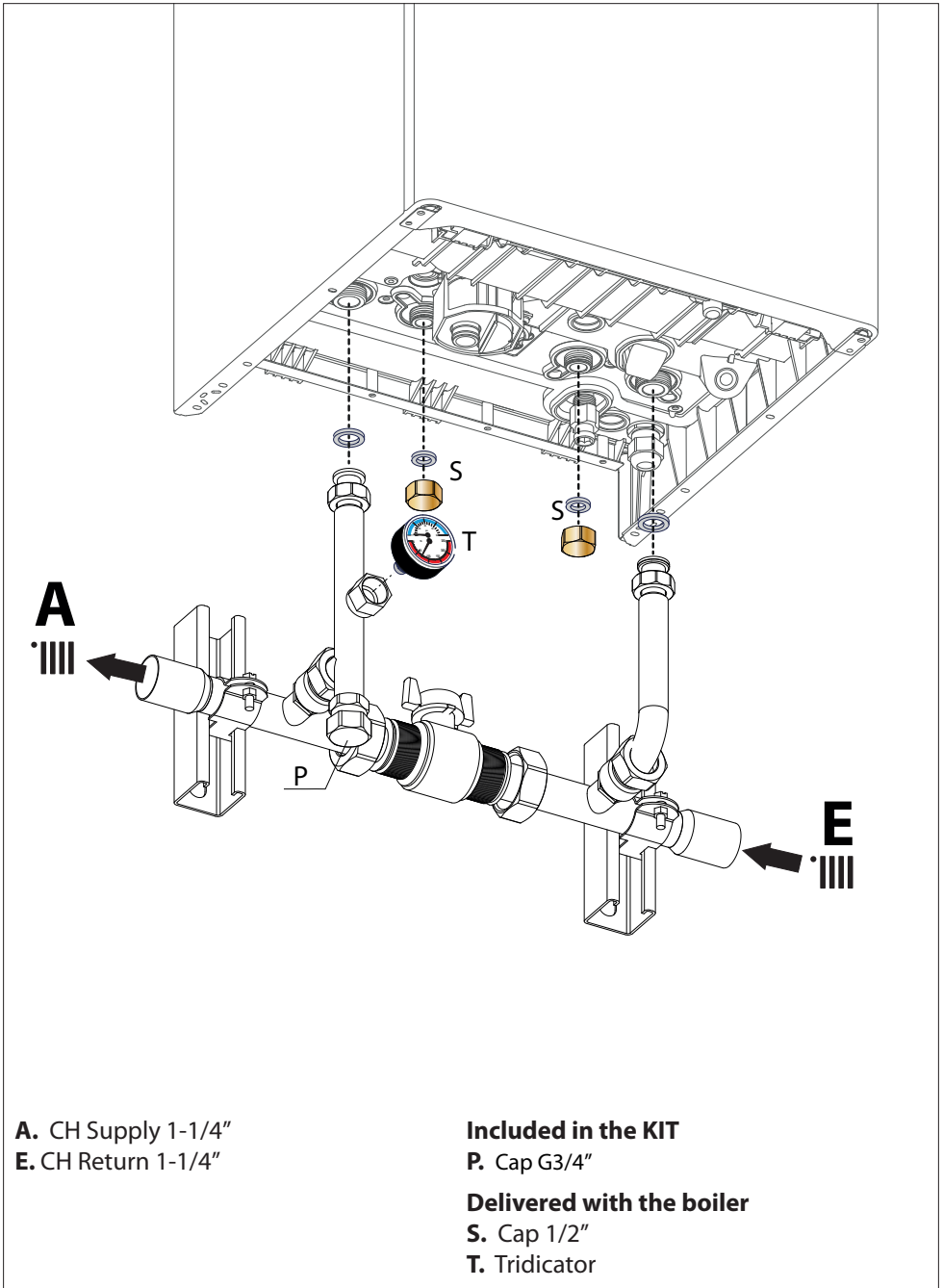




- A.** CH Supply 1-1/4"
- B.** DHW Outlet 3/4"
- D.** DHW Inlet 3/4"
- E.** CH Return 1-1/4"

- Included in the KIT**
- P.** Cap G3/4"
- Delivered with the boiler**
- T.** Tridicator





A. CH Supply 1-1/4"
E. CH Return 1-1/4"

Included in the KIT

P. Cap G3/4"

Delivered with the boiler

S. Cap 1/2"

T. Tridicator

