

# FLOOR STAND, HEAVY DUTY (84624, 84630 & 86681) INSTALLATION INSTRUCTIONS



Version Date: 2022-10-26

NTI Boilers Inc.  
30 Stonegate Dr.  
Saint John, NB  
E2H 0A4 Canada  
Technical Assistance:  
1-800-688-2575  
Fax: 1-506-432-1135  
www.ntiboilers.com

## APPLICABLE MODELS:

84624 – Floor Stand, Heavy Duty, 26”

- Intended for use with Tft300-399, TFTN340-399, and VM110P-153P boiler models; may be used with FTVN, Tft60-285, TFTN085-285, TRX150/199/199C, and VM110-153 boiler models
- DO NOT use with FTV, TRX085/110C/120/150C, or Tx boiler models

84630 – Floor Stand, Heavy Duty, 21”

- Intended for use with FTV, FTVN, Tft60-285, TFTN085-285, TRX150/199/199C, Tx, and VM110-153 boiler models
- DO NOT use with Tft300-399, TFTN340-399, TRX085/110C/120/150C, or VM110P-153P boiler models

86681 – Floor Stand, Heavy Duty, 16”

- Intended for use with TRX085/110C/120/150C boiler models
- DO NOT use with FTV, FTVN, Tft, TFTN, TRX150/199/199C, Tx, or Vmax boiler models

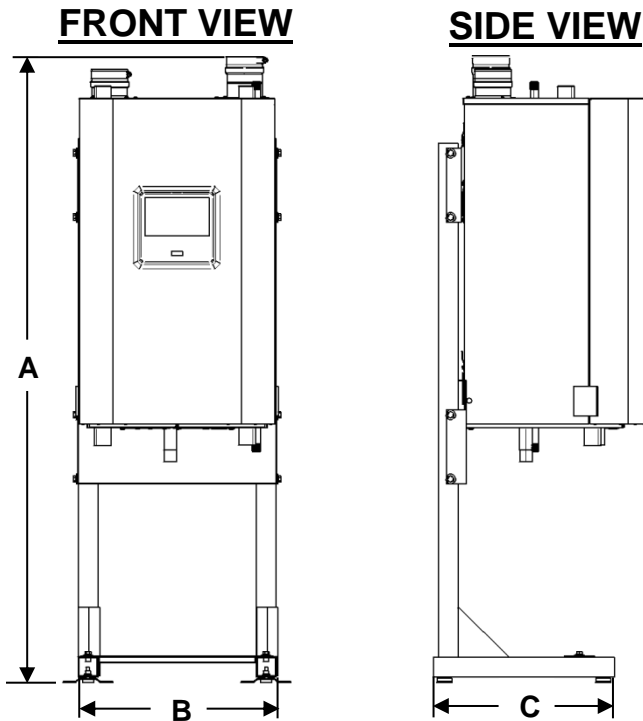


Use the correct stand for each given boiler model as listed in “Applicable Models” above. Using the incorrect stand may cause serious injury or property damage.

## Introduction

The Floor Stand included in this kit is intended for use **ONLY** with the NTI boiler models listed above; it is **NOT** intended for use with any other boiler models. It is the installer’s responsibility to ensure the Floor Stand is assembled, and the boiler is mounted, in accordance with these instructions, and the Installation and Operation Instruction included with the boiler. Check Floor Stand kit contents to ensure all components are included, prior to commencing assembly. Contact NTI if assistance is required.

**Overall Assembled Dimensions**

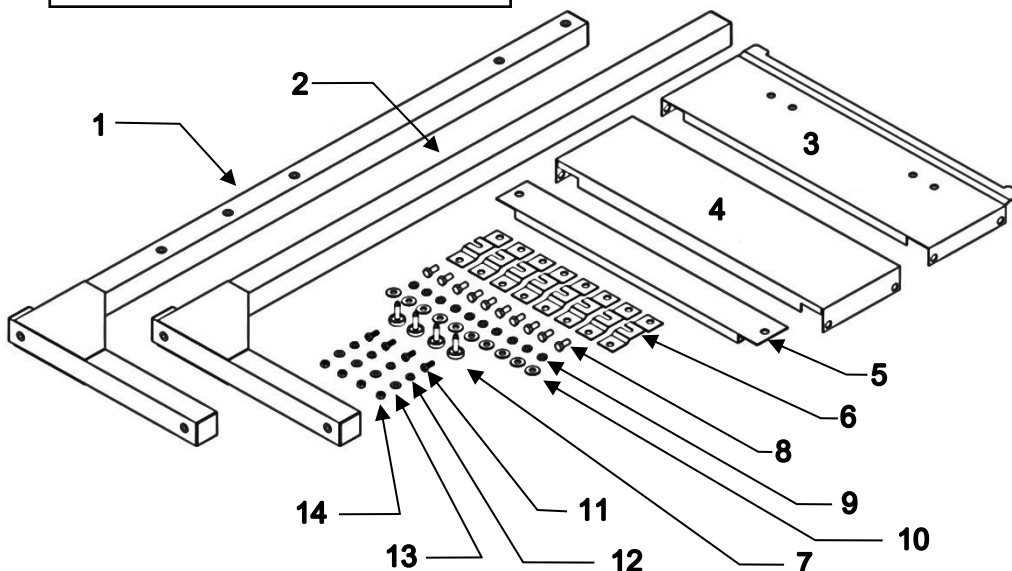


Model	Dimensions <sup>1,2</sup>	
	A	C
FTVN	57-5/8	18-1/4
Tft60-110 <sup>5</sup>	58-5/8	18-1/4
Tft154 <sup>5</sup>	59-1/4	18-1/4
Tft201-399 <sup>5</sup>	58-5/8	18-1/4
TFTN085-199	57-5/8	18-1/4
TFTN285	57-5/8	18-1/4
TFTN340-399	61-1/8	18-1/4
TRX <sup>3</sup>	54-5/8	18-1/4
TRX <sup>4</sup>	57-5/8	18-1/4

**Notes:**  
<sup>1</sup> All dimensions are in inches.  
<sup>2</sup> Dimension **B** is dictated by the width of the stand:  
 ▶ P/N 84624: 26"  
 ▶ P/N 84630: 21" (Tft285/TFTN285 = 21-3/8")  
 ▶ P/N 86681: 16"  
<sup>3</sup> TRX085, TRX110C, TRX120 & TRX150C  
<sup>4</sup> TRX150, TRX199 and TRX199C  
<sup>5</sup> Dimension **A** for Tft60-285 with serial number >153063, and Tft340-399 with serial number >2109222038157799, will be greater by approximately 4"

**Kit Contents**

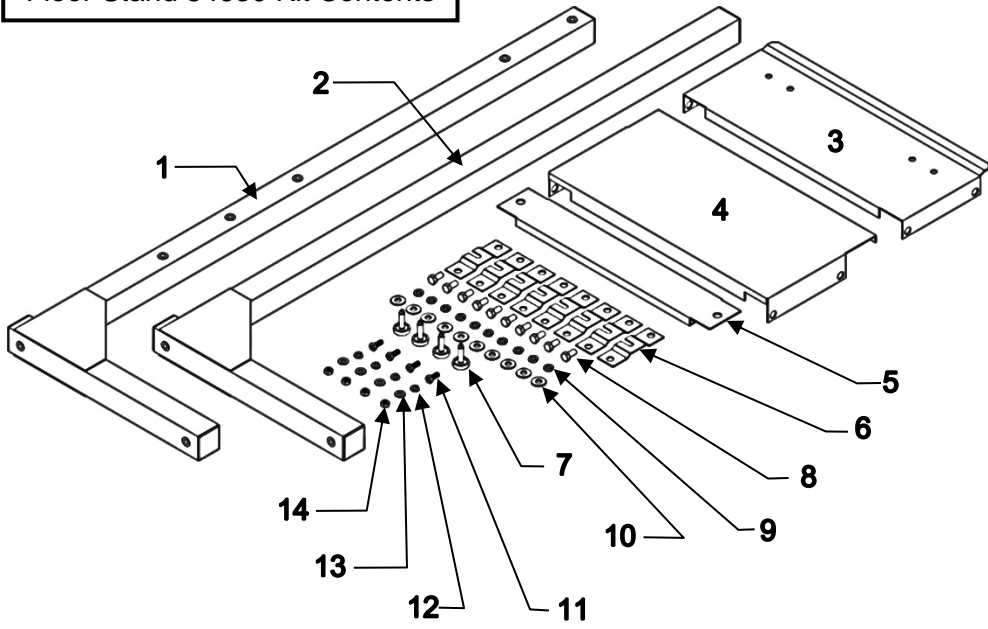
Floor Stand 84624 Kit Contents



**No. Item Description**

1. Left Rail
2. Right Rail
3. Top Cross Member
4. Middle Cross Member
5. Bottom Cross member
6. Floor Anchor Brackets x 8pcs
7. Leveling Legs x 4pcs
8. 3/8" x 3/4" Bolts x 10pcs
9. 3/8" Split-lock Washers x 10pcs
10. 3/8" Flat washers x 10pcs
11. 5/16" x 3/4" Bolts x 4pcs
12. 5/16" Split-lock Washers x 4pcs
13. 5/16" Flat washers x 4pcs
14. 5/16" Hex Nut x 4pcs

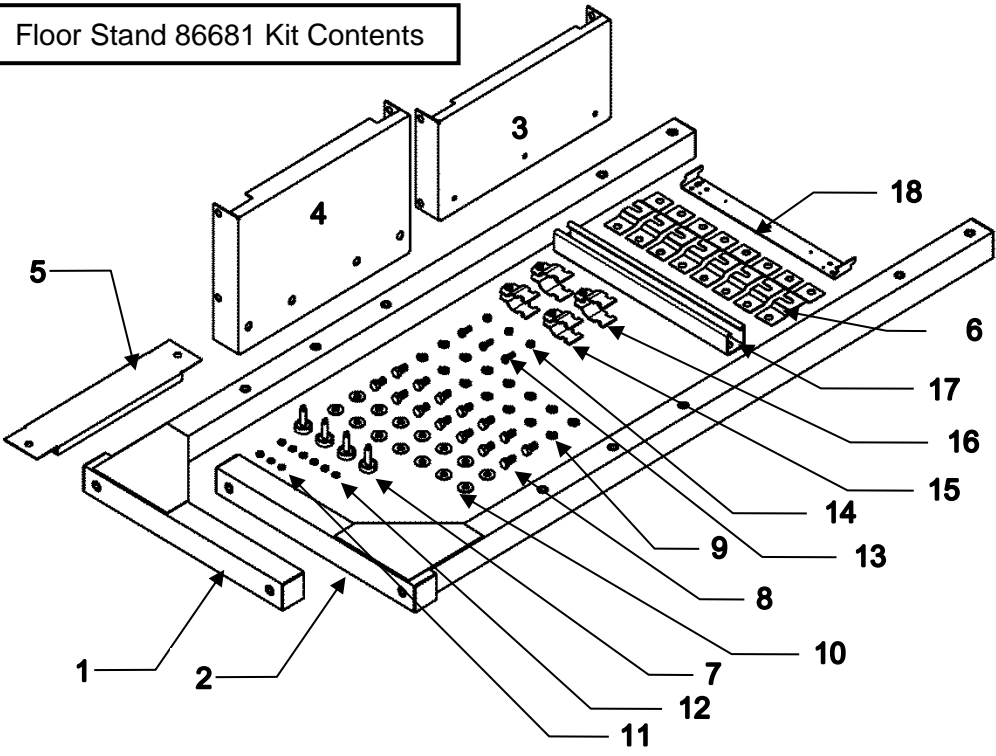
Floor Stand 84630 Kit Contents



No. Item Description

1. Left Rail
2. Right Rail
3. Top Cross Member
4. Middle Cross Member
5. Bottom Cross member
6. Floor Anchor Brackets x 8pcs
7. Leveling Legs x 4pcs
8. 3/8" x 3/4" Bolts x 10pcs
9. 3/8" Split-lock Washers x 10pcs
10. 3/8" Flat washers x 10pcs
11. 5/16" x 3/4" Bolts x 4pcs
12. 5/16" Split-lock Washers x 4pcs
13. 5/16" Flat washers x 4pcs
14. 5/16" Hex Nut x 4pcs

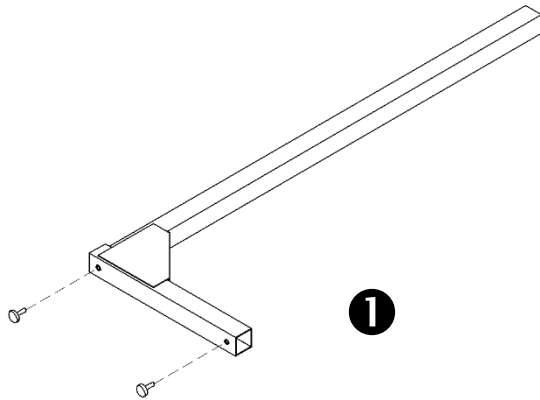
Floor Stand 86681 Kit Contents



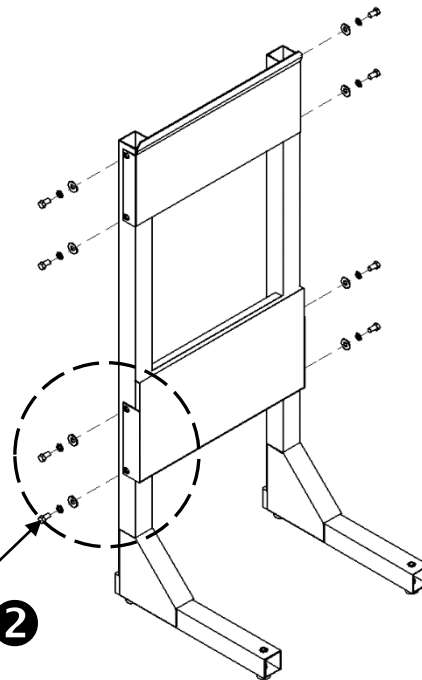
No. Item Description

1. Left Rail
  2. Right Rail
  3. Top Cross Member
  4. Middle Cross Member
  5. Bottom Cross member
  6. Floor Anchor Brackets x 8
  7. Leveling Legs x 4
  8. 3/8" x 3/4" Bolts x 14
  9. 3/8" Split-lock Washers x 14
  10. 3/8" Flat washers x 14
  11. 1/4" Flat washer x 3
  12. 1/4" Split-lock washer x 2
  13. 1/4" Hex cap screw x 3
  14. 1/4" Hex nut x 3
  15. 3/4" Pipe clamp x 2 \*\*
  16. 1" Pipe clamp x 2 \*\*
  17. 1 5/8" Channel x 16" \*\*
  18. Hook bracket \*\*
- \*\* Included with boiler

**Assembly Instructions (Steps 1-6)**

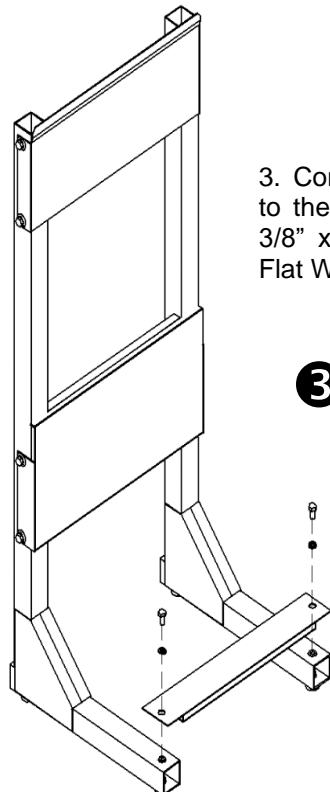


1. Install Leveling Legs into the bottom of the Right and Left Rails. Leave a minimum of 1/2" of the Leveling leg exposed for attaching floor anchors in step 6.

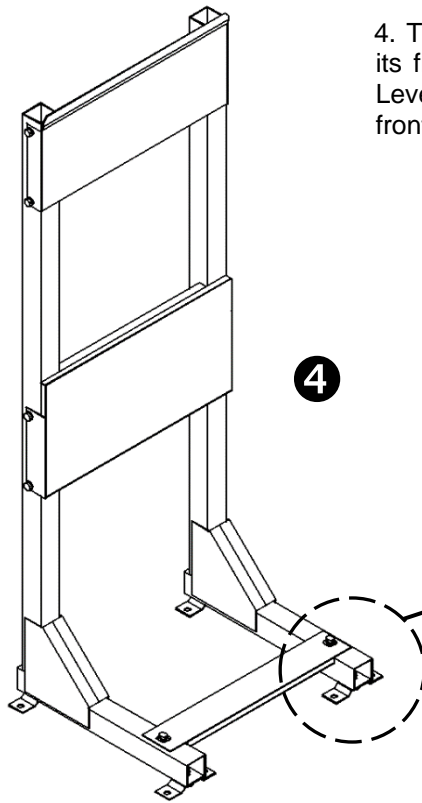


2. Connect the Top and Middle Cross Members to the Rails using eight (8) of the 3/8" x 3/4" bolts and 3/8" Split-lock & Flat Washers.

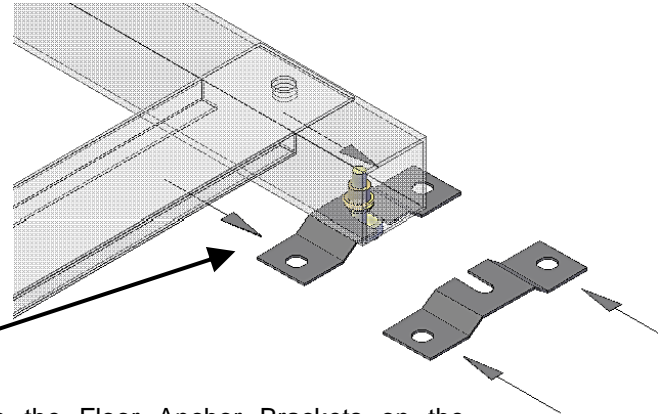
**NOTE:** Use the **bottom 2** holes when assembling the Middle Cross Member to Floor Stand 84624 & 84630, if mounting a Tft, TRX150/199/199C, FTVN or VM110P/153P boiler



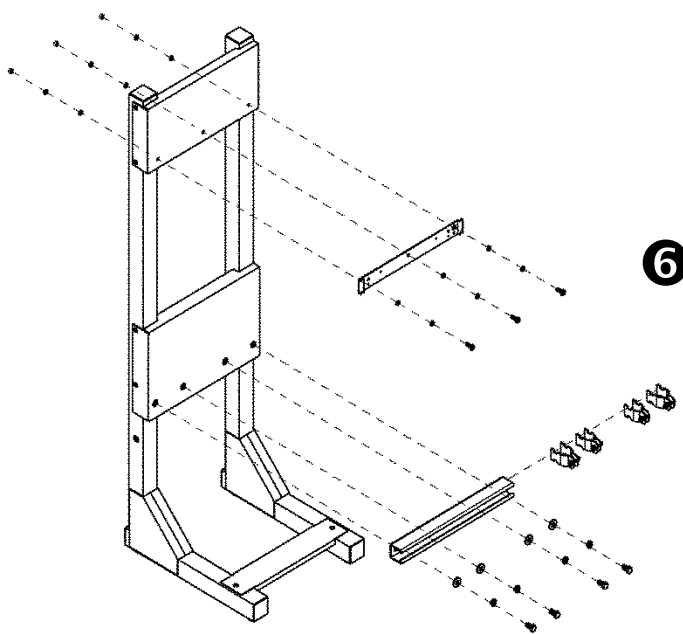
3. Connect the Bottom Cross Member to the Rails using the remaining two - 3/8" x 3/4" bolts and 3/8" Split-lock & Flat Washers.



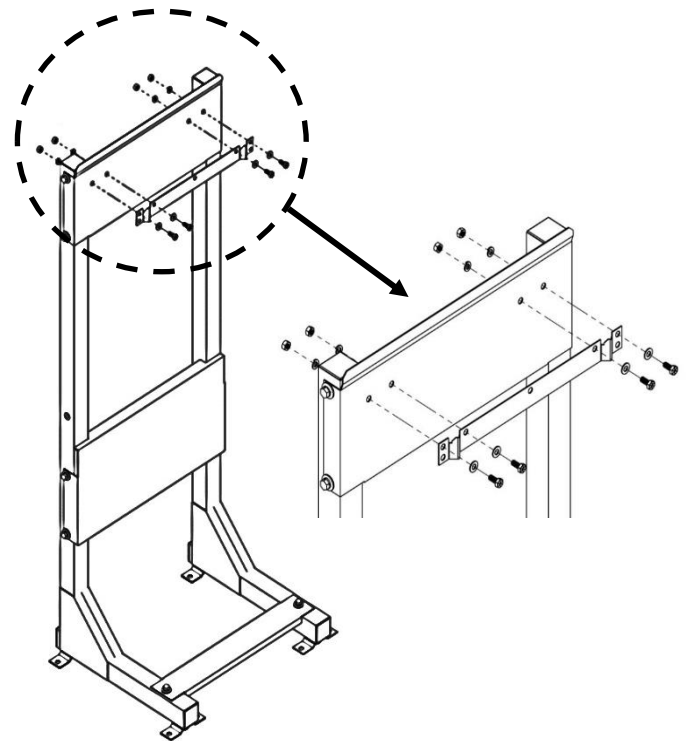
4. Tighten all the bolts; position the stand in its final location. Using a level, adjust the 4 Leveling Legs to attain a level stand from front-to-back and side-to-side.



5. Overlap the Floor Anchor Brackets on the Leveling leg as shown with the 'U' cuts facing each other. Fasten the Floor Anchor Brackets to the floor using field supplied anchors. Perform this exact process to each leveling leg.

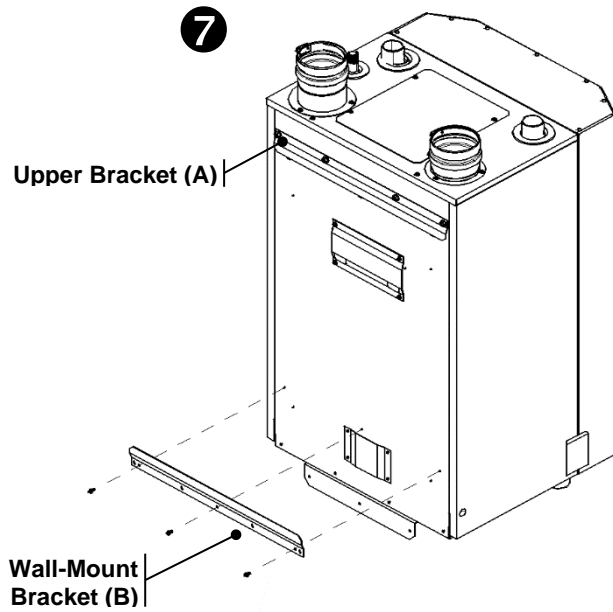


6. TRX085/110C/120/150C (Stand 86681) ONLY - Attach and secure the hook bracket (included with boiler) using 1/4" mounting hardware. Attach and secure the pipe support channel and clamps using 3/8" mounting hardware. Mount the boiler and pipe kit as per boiler IOM. Proceed to step 11.



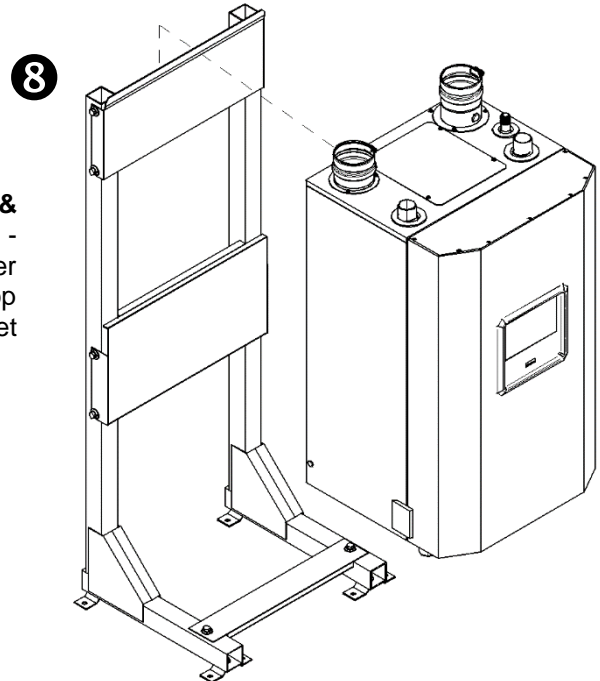
6. TRX150/199/199C, FTVN, Tft60-285 (s/n 153063 up) & Tft340/399 (s/n 2109222038157799 up) ONLY - Attach and secure the wall bracket (included with boiler) using 5/16" mounting hardware. Mount the boiler as per boiler IOM; be sure to secure the bottom boiler mounting brackets. Proceed to step 11.

**Boiler Mounting Instructions (Steps 7-11)**

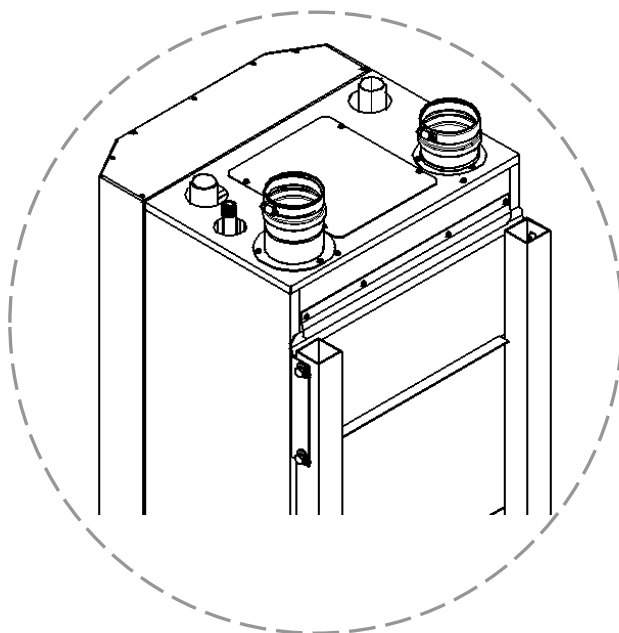


**7. Tx, Vmax, FTV, Tft60-285 (s/n 153063 down) & Tft300-399 (s/n 2109222038157799 down) ONLY** - Remove the Wall-Mount Bracket (B) from the back of the boiler and discard; keep the screws for use in step 9. Upper Bracket (A) remains on the boiler.

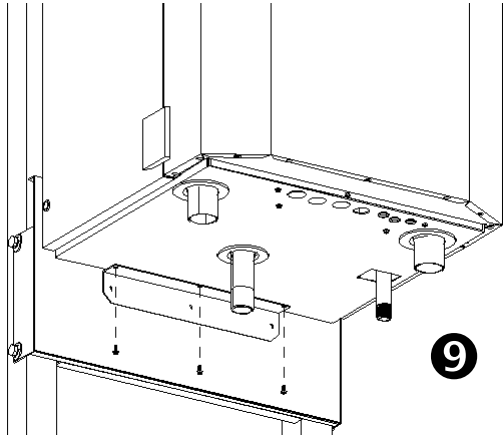
**8. Tx, Vmax, FTV, Tft60-285 (s/n 153063 down) & Tft300-399 (s/n 2109222038157799 down) ONLY** - With the help of an assistant, hook the Upper Bracket (A), mounted to the boiler, onto the Top Cross Member of Floor Stand – ensure the bracket fully engages. See Reverse View.



**Reverse View (Step 8)**



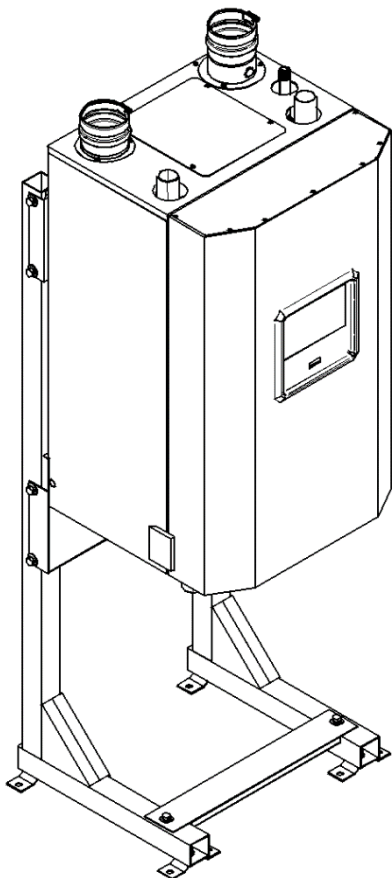
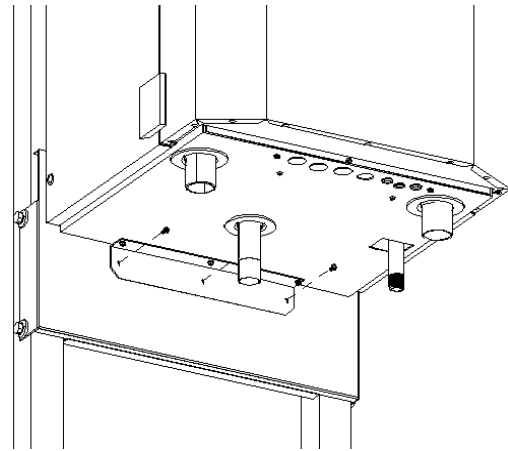
Upper bracket (A) hooked over Top Cross Member



9. Tx, Vmax, FTV, Tft60-285 (s/n 153063 down) & Tft300-399 (s/n 2109222038157799 down) ONLY - Fasten the Boiler Support Bracket to the bottom of the boiler using the screws removed in step 7. Before tightening, ensure the boiler is plumb.

10. Secure the Boiler Support Bracket to the Middle Cross Member using #14 x 3/4" drill-point screws.

10



11

11. Check to ensure the boiler is level – correct if necessary, using Leveling Legs. Proceed with the boiler installation – see detailed Installation Instruction provided with the boiler.

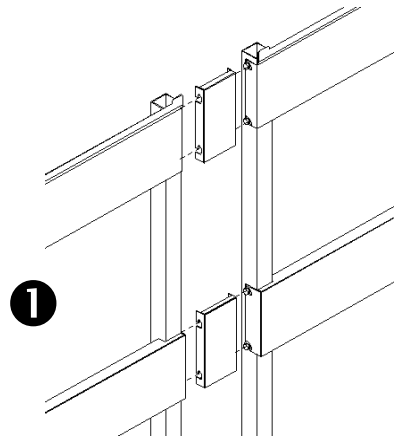
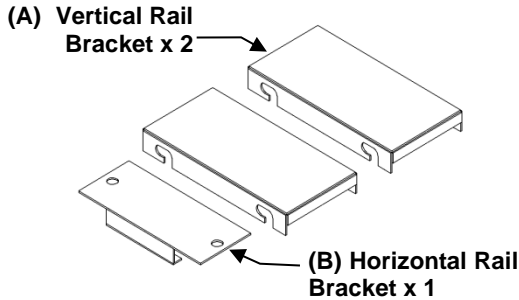
**Supplemental Instructions for NTI – Floor Stand Twinning Kit (P/N 85063)**

NTI’s Floor Stand Twinning Kit is designed to connect NTI Floor Stands together, side by side and provide the required boiler spacing for correct installation of **ONLY** the Trinity Tft – Common Vent System. One Twinning Kit is needed to connect two (2) Floor Stands together; additional Twinning Kits are required to connect additional Floor Stands together (e.g. two Twinning Kits for three Floor Stands).

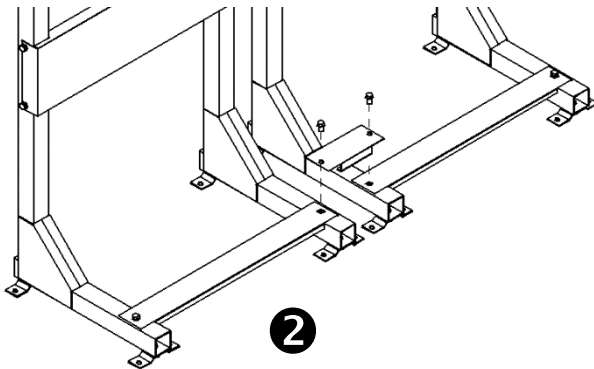


When connecting Floor Stands together, using the Twinning Kit, do so prior to installing the boiler on the Floor Stands. Failure to follow this warning may result in serious injury or property damage.

**Twinning Kit Contents**



1). Loosen (**DO NOT Remove**) the bolts on the Top and Middle Cross Members. Slide Vertical Rail Bracket (A) over the loose bolts then tighten.



2. Remove bolts and split-lock washers from the Bottom Cross Member. Place the Horizontal Rail Bracket (B) over the holes and reinstall the bolt and Split-lock Washers.

3. Check to ensure the stands are level – correct if necessary, using Leveling Legs. Proceed with the boiler installation – see detailed Installation Instructions provided with the boiler.

