

NY Thermal Inc.
Tel: (506) 657-6000
Toll Free: 1-800-688-2575
Fax: 1-506-432-1135
Web: www.nythermal.com
Email: info@nythermal.com

84744-1 Combi Block, Integrated Water Control, (59907208)

Applicable Boiler Models

Tx151C, Tx200C

Kit Contents

- 84744 Combi Block 1qty
- 84976 O-Ring 2 qty

Tools Required

- 1/4" Nut Driver
- T25 screwdriver
- 6mm Allen wrench
- 3/8" Nut Driver w/ extension

Replacement Instructions

- 1) Turn off power and gas to the boiler.
- 2) Drain boiler of water.
- 3) Drain the domestic water piping.
- 4) The display and black controller are mounted on a hinged half-door that is held closed by a screw on the right-hand side. Remove the screw and swing the door open.



CAUTION

Water Leakage – Before reinstalling the combi block ensure that the o-ring seals on the brass fittings in the base of the boiler and on the boiler pipes are in place and in good condition. Failure to do so may cause water leakage causing property damage

CAUTION

Air in Boiler - Ensure the boiler is completely filled with water to a minimum pressure of 15psi, and that all the air is purged. Failure to do so could result in a boiler malfunction causing property damage

CAUTION

Avoid Electrical Shocks - Isolate and de-energize the boiler and all attached field wiring. Failure to do so may result in damage to the boiler, personal injury or death

5) Remove field installed wiring from the boiler terminal strip.



Wiring Terminal Strip

6) Remove the two screws securing the wiring terminal strip to the bottom of the boiler and push the terminal strip out of the way.
7) Disconnect wires from the combi block.



Moving Wiring Terminal Strip

- 8) Remove the 3 screws on the brass pressure relief valve connection on the bottom of the boiler cabinet and pull connection out.
3/8" nut driver with extension advised.



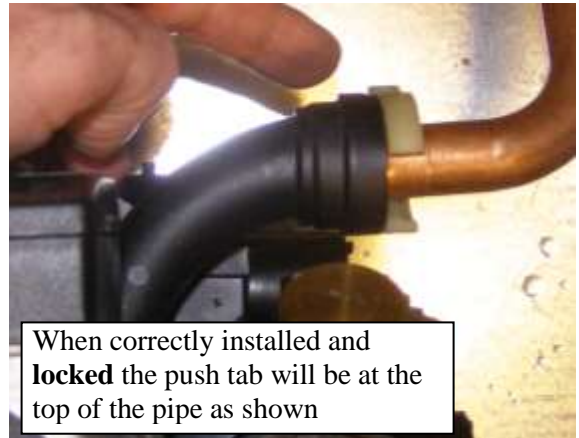
Pressure relief valve connection

9) Unlock pipe retaining clips and pull both internal boiler pipes out of the combi block. Replace o-rings with supplied new ones.

When correctly installed and **unlocked** the push tab will be at the top of the pipe as shown



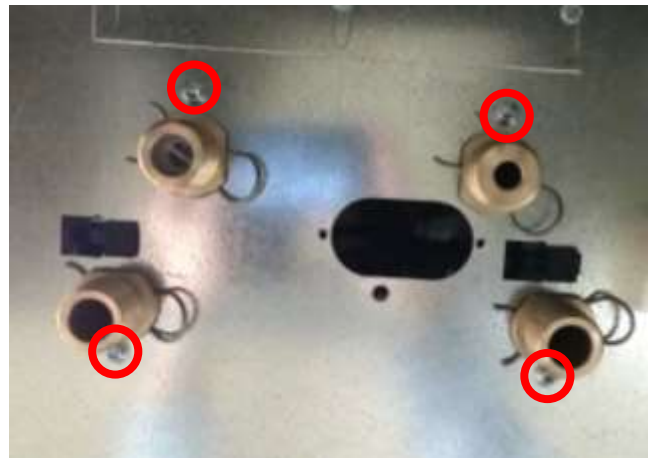
Turn Counterclockwise to Unlock



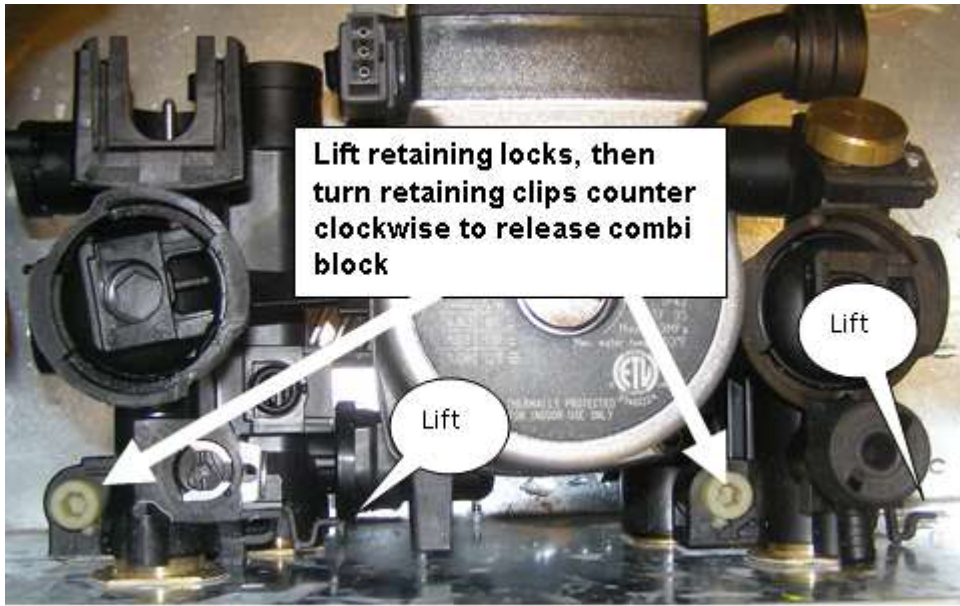
When correctly installed and **locked** the push tab will be at the top of the pipe as shown

Turn Clockwise to Lock

10) Remove the 4 Torx screws holding the combi block to the boiler base.



11) Use an Allen wrench and turn the combi block retaining locks counterclockwise while holding the safety clips up, until they are unlocked.



12) Remove combi block by pulling it straight up.

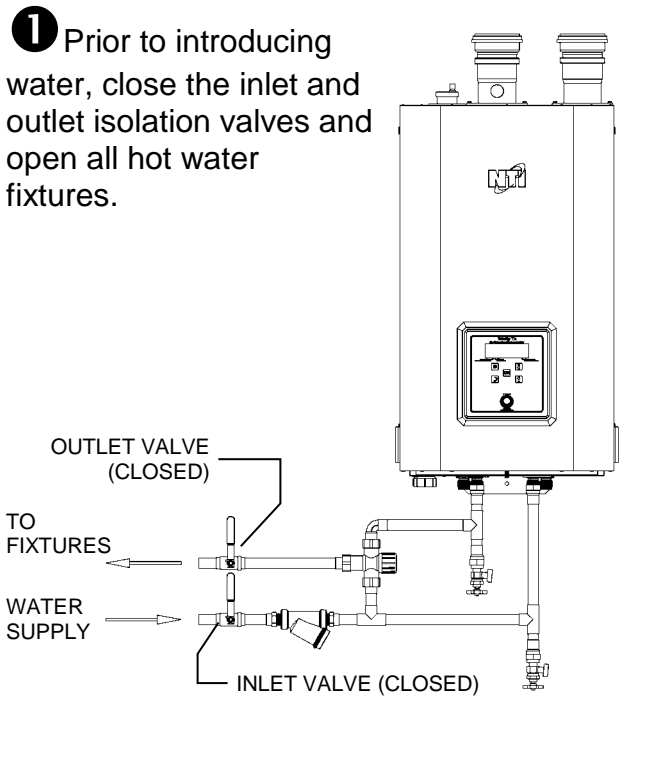
13) Installation is the reverse of disassembly.

Note: Lubricate O-rings to ease reassembly

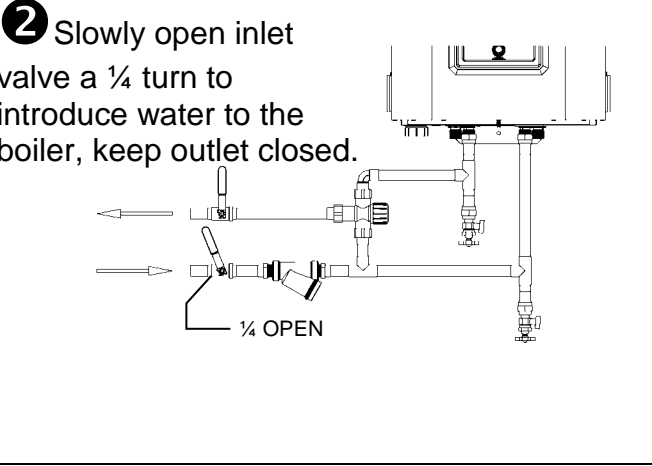
14) Follow DHW Filling Procedure Below.

Figure 7: DHW Filling Procedure

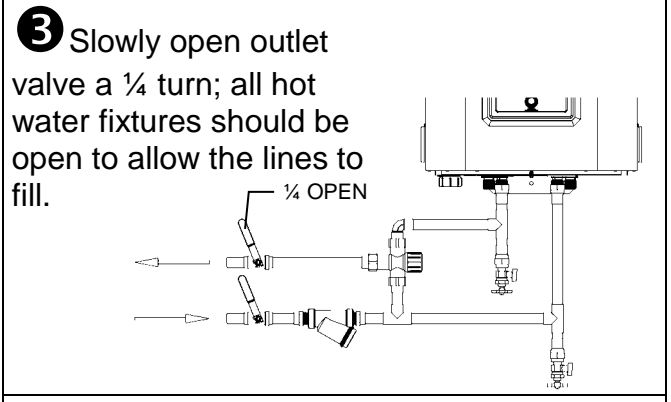
1 Prior to introducing water, close the inlet and outlet isolation valves and open all hot water fixtures.



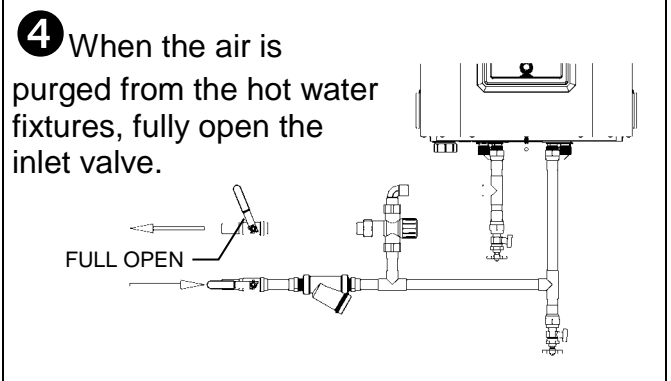
2 Slowly open inlet valve a ¼ turn to introduce water to the boiler, keep outlet closed.



3 Slowly open outlet valve a ¼ turn; all hot water fixtures should be open to allow the lines to fill.



4 When the air is purged from the hot water fixtures, fully open the inlet valve.



5 Close hot water fixtures, then fully open outlet valve.

